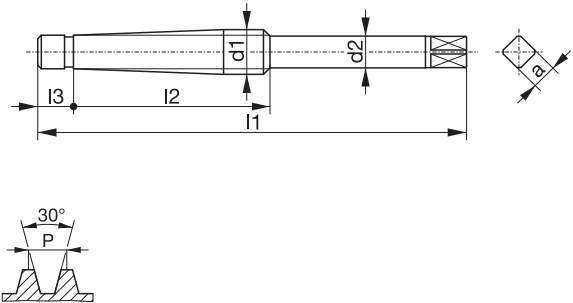


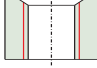
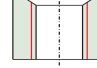




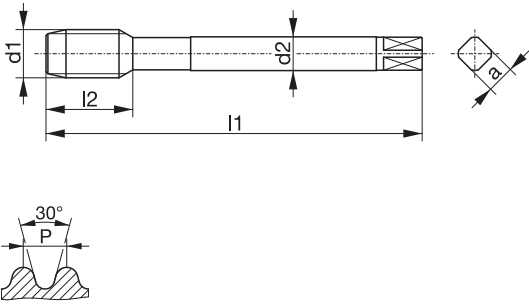
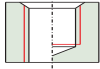

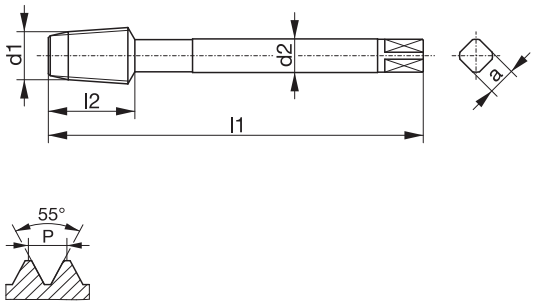

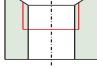



Typenbezeichnung / type / type / tipo / tipo	AVANT 2 H05	AVANT 2 H05																																																																																																																																						
<p><b>Tr-Metrisches ISO Trapezgewinde DIN 103</b> Metric ISO trapezoidal thread DIN 103 Filetage métrique ISO trapézoïdal DIN 103 Filettatura trapezoidale ISO DIN 103 Rosca trapezoidal métrica ISO DIN 103</p> 																																																																																																																																								
<b>Bohrung / bore / type de trou / fori / tipos de agujeros</b>																																																																																																																																								
<b>Einsatzgebiet / application / application adatto per lavorazione di / aplicación</b>	1.2-1.4 / 5.2	1.2-1.4 / 5.2																																																																																																																																						
<b>Ausführung / model / exécution / modello / modelo</b>	LSP	RSP LH																																																																																																																																						
<b>Werkstoff / tool material / substrat / materiale / material</b>	HSSE	HSSE																																																																																																																																						
<b>Gewindetoleranz / thread tolerance / tolérance du filetage / tolleranza di filettatura / tolerancia de la rosca</b>	7H	7H																																																																																																																																						
<b>Schafttoleranz / shank tolerance / tolérance de queue / tolleranza del gambo / tolerancia del mango</b>	h9	h9																																																																																																																																						
<b>Anschnitt / chamfer / entrée / imbocco / entrada</b>																																																																																																																																								
<table border="1"> <thead> <tr> <th></th> <th>Ød<sub>1</sub></th> <th>P</th> <th>l<sub>1</sub></th> <th>l<sub>2</sub></th> <th>l<sub>3</sub></th> <th>Ød<sub>2</sub></th> <th>a</th> <th></th> <th colspan="2">Identnummer / identification number / code article / codice / número de identificación</th> </tr> </thead> <tbody> <tr> <td>TR</td> <td>10</td> <td>x 2</td> <td>135</td> <td>60</td> <td>8</td> <td>7</td> <td>5,5</td> <td>8,2</td> <td>107016</td> <td>107041</td> </tr> <tr> <td>TR</td> <td>12</td> <td>x 3</td> <td>175</td> <td>90</td> <td>12</td> <td>8</td> <td>6,2</td> <td>9,2</td> <td>107019</td> <td></td> </tr> <tr> <td>TR</td> <td>14</td> <td>x 3</td> <td>180</td> <td>90</td> <td>12</td> <td>10</td> <td>8</td> <td>11,2</td> <td>107021</td> <td>107043</td> </tr> <tr> <td>TR</td> <td>14</td> <td>x 4</td> <td>215</td> <td>120</td> <td>14</td> <td>10</td> <td>8</td> <td>10,25</td> <td>107022</td> <td></td> </tr> <tr> <td>TR</td> <td>16</td> <td>x 4</td> <td>220</td> <td>120</td> <td>14</td> <td>11</td> <td>9</td> <td>12,25</td> <td>107025</td> <td>107045</td> </tr> <tr> <td>TR</td> <td>18</td> <td>x 4</td> <td>225</td> <td>120</td> <td>14</td> <td>12</td> <td>9</td> <td>14,25</td> <td>107027</td> <td>107046</td> </tr> <tr> <td>TR</td> <td>20</td> <td>x 4</td> <td>230</td> <td>120</td> <td>14</td> <td>14</td> <td>11</td> <td>16,25</td> <td>107029</td> <td>107047</td> </tr> <tr> <td>TR</td> <td>22</td> <td>x 5</td> <td>265</td> <td>150</td> <td>18</td> <td>16</td> <td>12</td> <td>17,25</td> <td>107031</td> <td>107049</td> </tr> <tr> <td>TR</td> <td>24</td> <td>x 5</td> <td>275</td> <td>150</td> <td>18</td> <td>18</td> <td>14,5</td> <td>19,25</td> <td>107034</td> <td>107050</td> </tr> <tr> <td>TR</td> <td>28</td> <td>x 5</td> <td>285</td> <td>150</td> <td>18</td> <td>22</td> <td>18</td> <td>23,25</td> <td>107036</td> <td></td> </tr> <tr> <td>TR</td> <td>30</td> <td>x 6</td> <td>320</td> <td>180</td> <td>21</td> <td>22</td> <td>18</td> <td>24,25</td> <td>107037</td> <td>107052</td> </tr> </tbody> </table>		Ød <sub>1</sub>	P	l <sub>1</sub>	l <sub>2</sub>	l <sub>3</sub>	Ød <sub>2</sub>	a		Identnummer / identification number / code article / codice / número de identificación		TR	10	x 2	135	60	8	7	5,5	8,2	107016	107041	TR	12	x 3	175	90	12	8	6,2	9,2	107019		TR	14	x 3	180	90	12	10	8	11,2	107021	107043	TR	14	x 4	215	120	14	10	8	10,25	107022		TR	16	x 4	220	120	14	11	9	12,25	107025	107045	TR	18	x 4	225	120	14	12	9	14,25	107027	107046	TR	20	x 4	230	120	14	14	11	16,25	107029	107047	TR	22	x 5	265	150	18	16	12	17,25	107031	107049	TR	24	x 5	275	150	18	18	14,5	19,25	107034	107050	TR	28	x 5	285	150	18	22	18	23,25	107036		TR	30	x 6	320	180	21	22	18	24,25	107037	107052				
	Ød <sub>1</sub>	P	l <sub>1</sub>	l <sub>2</sub>	l <sub>3</sub>	Ød <sub>2</sub>	a		Identnummer / identification number / code article / codice / número de identificación																																																																																																																															
TR	10	x 2	135	60	8	7	5,5	8,2	107016	107041																																																																																																																														
TR	12	x 3	175	90	12	8	6,2	9,2	107019																																																																																																																															
TR	14	x 3	180	90	12	10	8	11,2	107021	107043																																																																																																																														
TR	14	x 4	215	120	14	10	8	10,25	107022																																																																																																																															
TR	16	x 4	220	120	14	11	9	12,25	107025	107045																																																																																																																														
TR	18	x 4	225	120	14	12	9	14,25	107027	107046																																																																																																																														
TR	20	x 4	230	120	14	14	11	16,25	107029	107047																																																																																																																														
TR	22	x 5	265	150	18	16	12	17,25	107031	107049																																																																																																																														
TR	24	x 5	275	150	18	18	14,5	19,25	107034	107050																																																																																																																														
TR	28	x 5	285	150	18	22	18	23,25	107036																																																																																																																															
TR	30	x 6	320	180	21	22	18	24,25	107037	107052																																																																																																																														

Tr  
Rd  
W  
BSW  
EG

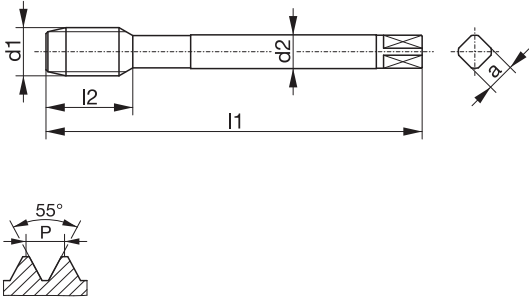

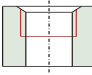
<b>Typenbezeichnung / type / type / tipo / tipo</b>										<b>VARIO 2 N</b>			
<b>Rd-Rundgewinde DIN 405</b> Round thread DIN 405 Filetage rond DIN 405 Filettatura tonda DIN 405 Rosca redonda DIN 405													
													
<b>Bohrung / bore / type de trou / fori / tipos de agujeros</b>													
<b>Einsatzgebiet / application / application adatto per lavorazione di / aplicación</b>										1.2-1.3 / 4.2 5.1-5.3			
<b>Ausführung / model / exécution / modello / modelo</b>													
<b>Werkstoff / tool material / substrat / materiale / material</b>										HSSE			
<b>Gewindetoleranz / thread tolerance / tolérance du filetage / toleranza di filettatura / tolerancia de la rosca</b>										7H			
<b>Schafttoleranz / shank tolerance / tolérance de queue / toleranza del gambo / tolerancia del mango</b>										h9			
<b>Anschnitt / chamfer / entrée / imbocco / entrada</b>										C / 2-3			
<b>Ød<sub>1</sub></b>	<b>P</b>	<b>l<sub>1</sub></b>	<b>l<sub>2</sub></b>	<b>l<sub>3</sub></b>	<b>Ød<sub>2</sub></b>	<b>a</b>		<b>Identnummer / identification number / code article / codice / número de identificación</b>					
Rd	10 x 1/10	110	22	-	9	7	8	110150					
Rd	12 x 1/10	110	25	-	11	9	10	110151					
Rd	14 x 1/8	110	28	-	12	9	11,5	110152					
Rd	16 x 1/8	125	32	-	14	11	13,5	110153					


Tr  
Rd  
W  
BSW  
EG

<b>Typenbezeichnung / type / type / tipo / tipo</b>	<b>VARIO 2 N</b>			
<p><b>W-Gasflaschenventilgewinde kegelig</b>  <b>DIN EN ISO 11363-1 / DIN 477</b>          Tapered thread for gas cylinder valves DIN EN ISO 11363-1 / DIN 477          Filetage conique pour robinets de bouteilles à gaz          DIN EN ISO 11363-1 / DIN 477          Filettatura conica per valvole di bombole a gas          DIN EN ISO 11363-1 / DIN 477          Rosca cónica para bombonas de gas DIN EN ISO 11363-1 / DIN 477</p> 				
<b>Bohrung / bore / type de trou / fori / tipos de agujeros</b>				
<b>Einsatzgebiet / application / application adatto per lavorazione di / aplicación</b>	<b>1.2-1.3 / 4.2 5.1-5.3</b>			
<b>Ausführung / model / exécution / modello / modelo</b>				
<b>Werkstoff / tool material / substrat / materiale / material</b>	HSSE			
<b>Gewindetoleranz / thread tolerance / tolérance du filetage / tolleranza di filettatura / tolerancia de la rosca</b>				
<b>Schafttoleranz / shank tolerance / tolérance de queue / tolleranza del gambo / tolerancia del mango</b>	h9			
<b>Anschnitt / chamfer / entrée / imbocco / entrada</b>	C / 2-3			

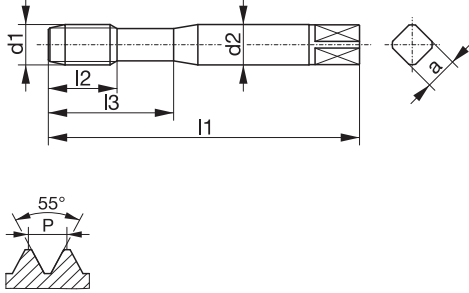

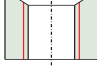
Ød <sub>1</sub>	P	l <sub>1</sub>	l <sub>2</sub>	l <sub>3</sub>	Ød <sub>2</sub>	a		<b>Identnummer / identification number / code article / codice / número de identificación</b>	
17E / W 19,8	-	14	95	27	-	16	12	14,7	110003
25E / W 28,8	-	14	132	33,5	-	22	18	22,7	110004
W 31,3	-	14	132	34	-	25	20	25,2	110005


Tr  
Rd  
W  
BSW  
EG

<b>Typenbezeichnung / type / type / tipo / tipo</b>	<b>VARIO 2 N</b>			
<p><b>W-Gasflaschenventilgewinde zylindrisch DIN 477</b>                  Cylindrical thread for gas cylinder valves DIN 477                  Filetage cylindrique pour robinets de bouteilles à gaz DIN 477                  Filettatura cilindrica per valvole di bombole a gas DIN 477                  Rosca cilíndrica para bombonas de gas DIN 477</p> 				
<b>Bohrung / bore / type de trou / fori / tipos de agujeros</b>				
<b>Einsatzgebiet / application / application adatto per lavorazione di / aplicación</b>	<b>1.2-1.3 / 4.2 5.1-5.3</b>			
<b>Ausführung / model / exécution / modello / modelo</b>				
<b>Werkstoff / tool material / substrat / materiale / material</b>	HSSE			
<b>Gewindetoleranz / thread tolerance / tolérance du filetage / tolleranza di filettatura / tolerancia de la rosca</b>				
<b>Schafttoleranz / shank tolerance / tolérance de queue / tolleranza del gambo / tolerancia del mango</b>	h9			
<b>Anschnitt / chamfer / entrée / imbocco / entrada</b>	C / 2-3			

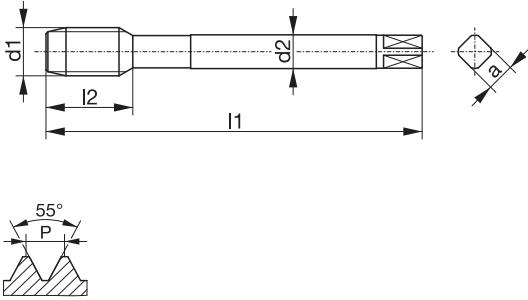

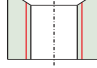
$\varnothing d_1$	P	$l_1$	$l_2$	$l_3$	$\varnothing d_2$	a		<b>Identnummer / identification number / code article / codice / número de identificación</b>
W 21,8	- 14	125	25	-	18	14,5	19,75	110007
W 24,32	- 14	140	28	-	18	14,5	22,25	110008


Tr  
Rd  
W  
BSW  
EG

<b>Typenbezeichnung / type / type / tipo / tipo</b>	<b>VARIANT 1 H</b>			
<p><b>BSW-Whitworth Gewinde BS 84</b> British standard Whitworth thread BS 84 Filetage British standard Whitworth BS 84 Filettatura Whitworth standard inglese BS 84 Rosca norma británica Whitworth BS 84 ~DIN 371</p> 				
<b>Bohrung / bore / type de trou / fori / tipos de agujeros</b>				
<b>Einsatzgebiet / application / application adatto per lavorazione di / aplicación</b>	<b>1.3-1.5 / 4.1 4.5</b>			
<b>Ausführung / model / exécution / modello / modelo</b>				
<b>Werkstoff / tool material / substrat / materiale / material</b>	HSSE			
<b>Gewindetoleranz / thread tolerance / tolérance du filetage / tolleranza di filettatura / tolerancia de la rosca</b>	med.			
<b>Schafttoleranz / shank tolerance / tolérance de queue / tolleranza del gambo / tolerancia del mango</b>	h9			
<b>Anschnitt / chamfer / entrée / imbocco / entrada</b>	B / 3,5-5,5			

	Ød <sub>1</sub>	P	l <sub>1</sub>	l <sub>2</sub>	l <sub>3</sub>	Ød <sub>2</sub>	a		<b>Identnummer / identification number / code article / codice / número de identificación</b>	
BSW	1/4"	-	20	80	16	30	7	5,5	5,1	108430
BSW	5/16"	-	18	90	18	35	8	6,2	6,5	108435
BSW	3/8"	-	16	100	20	39	10	8	7,9	108434

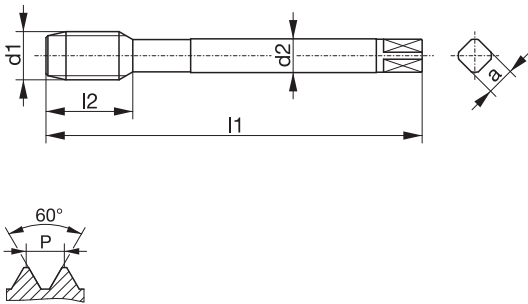

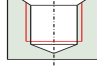
Tr  
Rd  
W  
BSW  
EG


<b>Typenbezeichnung / type / type / tipo / tipo</b>	<b>VARIANT 2 H</b>			
<p><b>BSW-Whitworth Gewinde BS 84</b> British standard Whitworth thread BS 84 Filetage British standard Whitworth BS 84 Filettatura Whitworth standard inglese BS 84 Rosca norma británica Whitworth BS 84 ~DIN 376</p> 				
<b>Bohrung / bore / type de trou / fori / tipos de agujeros</b>				
<b>Einsatzgebiet / application / application adatto per lavorazione di / aplicación</b>	<b>1.3-1.5 / 4.1 4.5</b>			
<b>Ausführung / model / exécution / modello / modelo</b>				
<b>Werkstoff / tool material / substrat / materiale / material</b>	HSSE			
<b>Gewindetoleranz / thread tolerance / tolérance du filetage / toleranza di filettatura / tolerancia de la rosca</b>	med.			
<b>Schafttoleranz / shank tolerance / tolérance de queue / toleranza del gambo / tolerancia del mango</b>	h9			
<b>Anschnitt / chamfer / entrée / imbocco / entrada</b>	B / 3,5-5,5			

$\varnothing d_1$	P	$l_1$	$l_2$	$l_3$	$\varnothing d_2$	a		<b>Identnummer / identification number / code article / codice / número de identificación</b>
BSW 1/2"	- 12	110	24	-	9	7	10,5	108635
BSW 5/8"	- 11	110	27	-	12	9	13,5	108637
BSW 3/4"	- 10	125	32	-	14	11	16,4	108636
BSW 7/8"	- 9	140	32	-	18	14,5	19,25	108638
BSW 1"	- 8	160	36	-	18	14,5	22	108634

Tr  
Rd  
W  
BSW  
EG

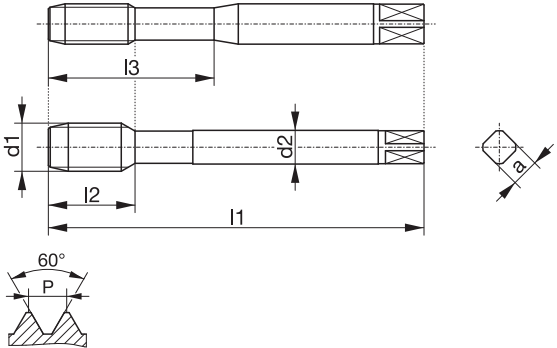


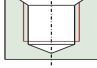
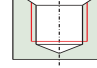





<p><b>Typenbezeichnung / type / type / tipo / tipo</b></p>		<p><b>DOMINANT 2 VA45</b></p>		
<p><b>EG MF-Metrisches ISO Feingewinde DIN 8140</b> Metric ISO fine thread DIN 8140 Filetage métrique ISO à pas fin (pour filets rapportés) DIN 8140 Filettatura metrica ISO passo fine DIN 8140 Rosca métrica fina ISO DIN 8140</p> <p><b>DIN 40435</b></p> 				
<p><b>Bohrung / bore / type de trou / fori / tipos de agujeros</b></p>				
<p><b>Einsatzgebiet / application / application adatto per lavorazione di / aplicación</b></p>		<p>1.1-1.6 / 2.1-2.3 3.1 / 3.3-3.4 5.1-5.3 / 7.1-7.2</p>		
<p><b>Ausführung / model / exécution / modello / modelo</b></p>		<p>HL</p>		
<p><b>Werkstoff / tool material / substrat / materiale / material</b></p>		<p>HSSE</p>		
<p><b>Gewindetoleranz / thread tolerance / tolérance du filetage / tolleranza di filettatura / tolerancia de la rosca</b></p>		<p>6H mod</p>		
<p><b>Schafttoleranz / shank tolerance / tolérance de queue / tolleranza del gambo / tolerancia del mango</b></p>		<p>h9</p>		
<p><b>Anschnitt / chamfer / entrée / imbocco / entrada</b></p>		<p>E / 1,5-2</p>		

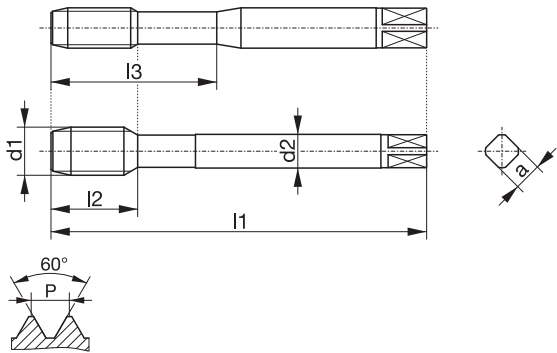


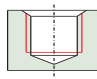
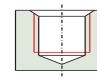
Ød <sub>1</sub>	P	l <sub>1</sub>	l <sub>2</sub>	l <sub>3</sub>	Ød <sub>2</sub>	a		<b>Identnummer / identification number / code article / codice / número de identificación</b>
EG-MF 8	x 1	90	12	-	7	5,5	8,3	025669
EG-MF 10	x 1	100	15	-	9	7	10,3	025670
EG-MF 12	x 1	100	15	-	11	9	12,3	025671
EG-MF 12	x 1,5	100	15	-	11	9	12,5	025672
EG-MF 14	x 1,25	100	15	-	12	9	14,4	025673
EG-MF 14	x 1,5	100	15	-	12	9	14,5	025674
EG-MF 16	x 1,5	110	18	-	14	11	16,5	025675
EG-MF 20	x 1,5	125	18	-	18	14,5	20,5	025676


Tr  
Rd  
W  
BSW  
EG



Typenbezeichnung / type / type / tipo / tipo	DOMINANT 1 VA45	DOMINANT 2 VA45																																																																																																																																													
<p><b>EG UNC-Grobgewinde ASME B18.29.1</b>            Unified coarse thread ASME B18.29.1            Filetage américain à pas gros (pour filets rapportés) ASME B18.29.1            Filettatura grossa unificata ASME B18.29.1            Rosca unificada gruesa ASME B18.29.1</p> <p><b>DIN 2184-1</b></p> 																																																																																																																																															
<b>Bohrung / bore / type de trou / fori / tipos de agujeros</b>																																																																																																																																															
<b>Einsatzgebiet / application / application adatto per lavorazione di / aplicación</b>	1.1-1.6 / 2.1-2.3 3.1 / 3.3-3.4 5.1-5.3 / 7.1-7.2	1.1-1.6 / 2.1-2.3 3.1 / 3.3-3.4 5.1-5.3 / 7.1-7.2																																																																																																																																													
<b>Ausführung / model / exécution / modello / modelo</b>	HL	HL																																																																																																																																													
<b>Werkstoff / tool material / substrat / materiale / material</b>	HSSE	HSSE																																																																																																																																													
<b>Gewindetoleranz / thread tolerance / tolérance du filetage / tolleranza di filettatura / tolerancia de la rosca</b>	3B	3B																																																																																																																																													
<b>Schafttoleranz / shank tolerance / tolérance de queue / tolleranza del gambo / tolerancia del mango</b>	h9	h9																																																																																																																																													
<b>Anschnitt / chamfer / entrée / imbocco / entrada</b>	E / 1,5-2	E / 1,5-2																																																																																																																																													
<table border="1"> <thead> <tr> <th>Ød<sub>1</sub></th> <th>P</th> <th>l<sub>1</sub></th> <th>l<sub>2</sub></th> <th>l<sub>3</sub></th> <th>Ød<sub>2</sub></th> <th>a</th> <th></th> <th>Identnummer / identification number / code article / codice / número de identificación</th> </tr> </thead> <tbody> <tr><td>EG-UNC No3</td><td>-</td><td>48</td><td>56</td><td>7</td><td>20</td><td>4</td><td>3</td><td>2,7</td><td>025678</td></tr> <tr><td>EG-UNC No4</td><td>-</td><td>40</td><td>63</td><td>8</td><td>21</td><td>4,5</td><td>3,4</td><td>3,1</td><td>025679</td></tr> <tr><td>EG-UNC No5</td><td>-</td><td>40</td><td>63</td><td>8</td><td>21</td><td>4,5</td><td>3,4</td><td>3,4</td><td>025680</td></tr> <tr><td>EG-UNC No6</td><td>-</td><td>32</td><td>70</td><td>9</td><td>25</td><td>6</td><td>4,9</td><td>3,8</td><td>025681</td></tr> <tr><td>EG-UNC No8</td><td>-</td><td>32</td><td>80</td><td>10</td><td>30</td><td>6</td><td>4,9</td><td>4,4</td><td>025682</td></tr> <tr><td>EG-UNC No10</td><td>-</td><td>24</td><td>80</td><td>10</td><td>30</td><td>7</td><td>5,5</td><td>5,2</td><td>025683</td></tr> <tr><td>EG-UNC 1/4"</td><td>-</td><td>20</td><td>90</td><td>13</td><td>35</td><td>8</td><td>6,2</td><td>6,7</td><td>025685</td></tr> <tr><td>EG-UNC 5/16"</td><td>-</td><td>18</td><td>100</td><td>15</td><td>39</td><td>10</td><td>8</td><td>8,4</td><td>025689</td></tr> <tr><td>EG-UNC 3/8"</td><td>-</td><td>16</td><td>100</td><td>15</td><td>-</td><td>9</td><td>7</td><td>10</td><td>025687</td></tr> <tr><td>EG-UNC 7/16"</td><td>-</td><td>14</td><td>110</td><td>20</td><td>-</td><td>11</td><td>9</td><td>11,7</td><td>025690</td></tr> <tr><td>EG-UNC 1/2"</td><td>-</td><td>13</td><td>110</td><td>20</td><td>-</td><td>12</td><td>9</td><td>13,3</td><td>025684</td></tr> <tr><td>EG-UNC 5/8"</td><td>-</td><td>11</td><td>125</td><td>25</td><td>-</td><td>14</td><td>11</td><td>16,5</td><td>025688</td></tr> <tr><td>EG-UNC 3/4"</td><td>-</td><td>10</td><td>140</td><td>25</td><td>-</td><td>18</td><td>14,5</td><td>19,75</td><td>025686</td></tr> </tbody> </table>	Ød <sub>1</sub>	P	l <sub>1</sub>	l <sub>2</sub>	l <sub>3</sub>	Ød <sub>2</sub>	a		Identnummer / identification number / code article / codice / número de identificación	EG-UNC No3	-	48	56	7	20	4	3	2,7	025678	EG-UNC No4	-	40	63	8	21	4,5	3,4	3,1	025679	EG-UNC No5	-	40	63	8	21	4,5	3,4	3,4	025680	EG-UNC No6	-	32	70	9	25	6	4,9	3,8	025681	EG-UNC No8	-	32	80	10	30	6	4,9	4,4	025682	EG-UNC No10	-	24	80	10	30	7	5,5	5,2	025683	EG-UNC 1/4"	-	20	90	13	35	8	6,2	6,7	025685	EG-UNC 5/16"	-	18	100	15	39	10	8	8,4	025689	EG-UNC 3/8"	-	16	100	15	-	9	7	10	025687	EG-UNC 7/16"	-	14	110	20	-	11	9	11,7	025690	EG-UNC 1/2"	-	13	110	20	-	12	9	13,3	025684	EG-UNC 5/8"	-	11	125	25	-	14	11	16,5	025688	EG-UNC 3/4"	-	10	140	25	-	18	14,5	19,75	025686				
Ød <sub>1</sub>	P	l <sub>1</sub>	l <sub>2</sub>	l <sub>3</sub>	Ød <sub>2</sub>	a		Identnummer / identification number / code article / codice / número de identificación																																																																																																																																							
EG-UNC No3	-	48	56	7	20	4	3	2,7	025678																																																																																																																																						
EG-UNC No4	-	40	63	8	21	4,5	3,4	3,1	025679																																																																																																																																						
EG-UNC No5	-	40	63	8	21	4,5	3,4	3,4	025680																																																																																																																																						
EG-UNC No6	-	32	70	9	25	6	4,9	3,8	025681																																																																																																																																						
EG-UNC No8	-	32	80	10	30	6	4,9	4,4	025682																																																																																																																																						
EG-UNC No10	-	24	80	10	30	7	5,5	5,2	025683																																																																																																																																						
EG-UNC 1/4"	-	20	90	13	35	8	6,2	6,7	025685																																																																																																																																						
EG-UNC 5/16"	-	18	100	15	39	10	8	8,4	025689																																																																																																																																						
EG-UNC 3/8"	-	16	100	15	-	9	7	10	025687																																																																																																																																						
EG-UNC 7/16"	-	14	110	20	-	11	9	11,7	025690																																																																																																																																						
EG-UNC 1/2"	-	13	110	20	-	12	9	13,3	025684																																																																																																																																						
EG-UNC 5/8"	-	11	125	25	-	14	11	16,5	025688																																																																																																																																						
EG-UNC 3/4"	-	10	140	25	-	18	14,5	19,75	025686																																																																																																																																						

Tr  
Rd  
W  
BSW  
EG

Typenbezeichnung / type / type / tipo / tipo	DOMINANT 1 VA45	DOMINANT 2 VA45		
<p><b>EG UNF-Feingewinde ASME B18.29.1</b>                      Unified fine thread ASME B18.29.1                      Filetage américain à pas fin (pour filets rapportés) ASME B18.29.1                      Filettatura fine unificata ASME B18.29.1                      Rosca unificada fina ASME B18.29.1</p> <p><b>DIN 2184-1</b></p> 				
<b>Bohrung / bore / type de trou / fori / tipos de agujeros</b>				
<b>Einsatzgebiet / application / application adatto per lavorazione di / aplicación</b>	1.1-1.6 / 2.1-2.3 3.1 / 3.3-3.4 5.1-5.3 / 7.1-7.2	1.1-1.6 / 2.1-2.3 3.1 / 3.3-3.4 5.1-5.3 / 7.1-7.2		
<b>Ausführung / model / exécution / modello / modelo</b>	HL	HL		
<b>Werkstoff / tool material / substrat / materiale / material</b>	HSSE	HSSE		
<b>Gewindetoleranz / thread tolerance / tolérance du filetage / tolleranza di filettatura / tolerancia de la rosca</b>	3B	3B		
<b>Schafttoleranz / shank tolerance / tolérance de queue / toleranza del gambo / tolerancia del mango</b>	h9	h9		
<b>Anschnitt / chamfer / entrée / imbocco / entrada</b>	E / 1,5-2	E / 1,5-2		

Ød <sub>1</sub>	P	l <sub>1</sub>	l <sub>2</sub>	l <sub>3</sub>	Ød <sub>2</sub>	a		Identnummer / identification number / code article / codice / número de identificación
EG-UNF No6	- 40	70	9	25	6	4,9	3,7	025697
EG-UNF No8	- 36	80	10	30	6	4,9	4,4	025701
EG-UNF No10	- 32	80	10	30	6	4,9	5,1	025698
EG-UNF 1/4"	- 28	90	13	35	8	6,2	6,6	025699
EG-UNF 5/16"	- 24	90	12	39	10	8	8,25	025700
EG-UNF 3/8"	- 24	90	12	-	8	6,2	9,8	025694
EG-UNF 7/16"	- 20	100	15	-	9	7	11,5	025696
EG-UNF 1/2"	- 20	100	15	-	11	9	13,1	025692
EG-UNF 5/8"	- 18	110	18	-	14	11	16,25	025695
EG-UNF 3/4"	- 16	125	18	-	16	12	19,5	025693

Tr  
Rd  
W  
BSW  
EG